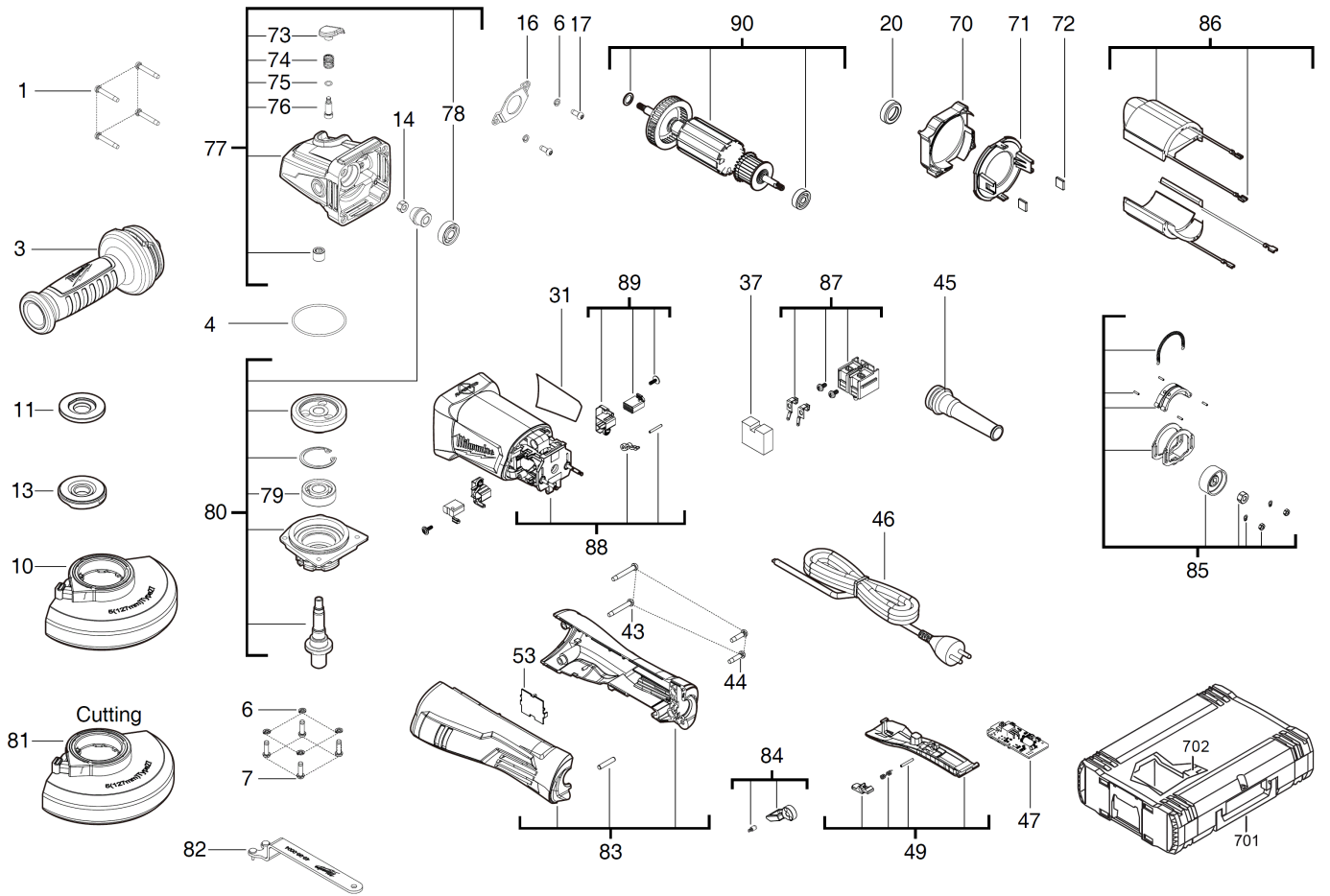


# AGV13-125XSPDEB ANGLE GRINDER IN2

4933464998 - AGV13-125XSPDEB - 4000469546





Position	Quantity	Description	Part number	EAN
0001 1	4	SCREW	4931435000	4002395855292
0003 2	1	AUXILIARY HANDLE	4931435002	4002395855919
0004 3	1	O-RING	570699002	4002395824472
0006 4	6	PROTECTION WASHER	680866003	4002395823895
0007 5	4	SCREW	4931435150	4002395859948
0010 6	1	GUARD CAP	4931466633	4058546278502
0011 7	1	FLANGE	4931435020	4002395856671
0013 8	1	FIXTEC-NUT	4931466616	4058546278335
0014 9	1	NUT	671686001	4002395824526
0016 10	1	RETAINER	4931435039	4002395860364
0017 11	2	SCREW	660165015	4002395849826
0020 12	1	RUBBER CAP	4931454160	4002395286348
0031 13	1	RATING PLATE	Item discontinued(4931454178)	
0037 14	1	RUBBER BUMPER	4931435071	4002395856732
0043 15	2	SCREW	4931435023	4002395857302
0044 16	2	SCREW	660024030	4002395826957
0045 17	1	CABLE COLLAR	4931435022	4002395856695
0046 18	1	CONNECTION CABLE	730351040	4002395824052
0047 19	1	ELECTRONIC	4931466617	4058546278342
0049 20	1	SWITCH LEVER	4931466618	4058546278359
0053 21	1	SUPPORT	4931466619	4058546278366
0070 22	1	AIR DEFLECTOR RING	4931453673	4002395144709
0071 23	1	FOOT	4931435035	4002395854622
0072 24	2	BLOCK	4931435034	4002395854615
0073 25	1	PUSH-BUTTON	4931452762	4002395169948
0074 26	1	SPRING	4931435005	4002395855940
0075 27	1	O-RING	4931454164	4002395286386
0076 28	1	LOCKING BOLT	4931435007	4002395855964
0077 29	1	GEAR BOX ASSY	4931466620	4058546278373
0078 30	1	BALL BEARING	681337001	4002395826988
0079 31	1	BALL BEARING	4931446467	4002395875733
0080 32	1	GEAR BOX COVER	4931466621	4058546278380
0081 33	1	GUARD CAP	4931452115	4002395180929
0082 34	1	WRENCH	4931466910	4058546281274
0083 35	1	HOUSING	4931466622	4058546278397
0084 36	1	LOCKING PART	4931466623	4058546278403
0085 37	1	BRAKE DISC	4931466624	4058546278410
0086 38	1	ELECTRIC FIELD	4931466625	4058546278427
0087 39	1	SWITCH	4931454181	4002395284351
0088 40	1	HOUSING SET ASSY	4931466626	4058546278434
0089 41	1	CARBON BRUSH SET	4931466756	4058546279738
0090 42	1	ARMATURE	4931466627	4058546278441
0701 43	1	HD Box 1 - 1pc	4932453385	4002395146376
0702 44	1	INSERT	4931466628	4058546278458